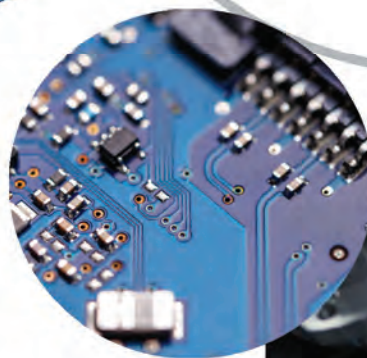
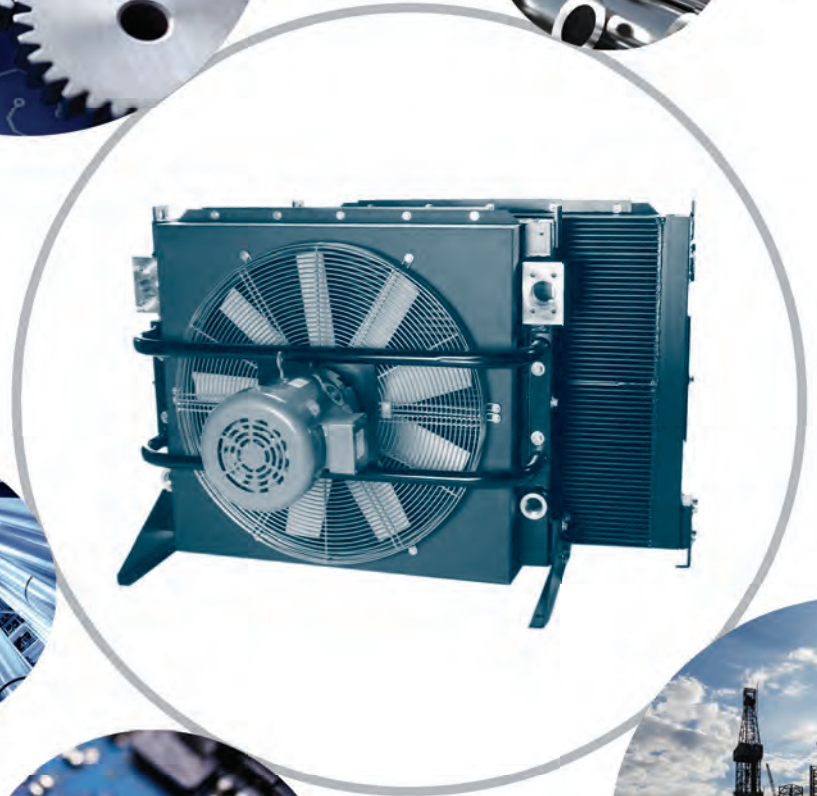
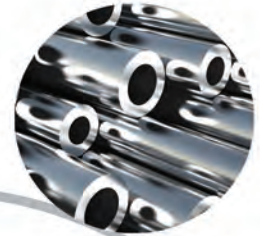


haco



X¹ X-AOC combination aftercooler/oil cooler

horsepower: 5 to 500



X-AOC combination aftercooler / oil cooler

horsepower: 5 to 500

X¹

Leading edge technology and hundreds of years of **experience**...nano-purification solutions, your world-class manufacturer of state-of-the-art compressed air and gas solutions to industry.

Our commitment at nano is to work alongside our **customers** and provide unique solutions with the highest quality products to solve your specific challenges.

A wealth of experience and leading edge products are only part of the equation. nano recognize that world-class customer **service** is the most important component to any successful business.

Experience. Customer. Service... **nano**



clean and dry

Clean and dry compressed air is essential in every efficient and profitable manufacturing and process operation worldwide. nano's vast experience includes food, beverage, chemical, laboratory, medical and natural gas applications.

nano understand your needs and has created the nano X¹ range of high performance aftercooler products to ensure the performance and energy efficiency of downstream compressed air treatment equipment at an affordable price with unrivaled reliability.



design

Our experienced team of design engineers are always looking for new and unique technologies and products to bring you the highest level of performance and lowest overall operating cost.



research & development

Our R&D team endeavor to provide solutions that go beyond developing an existing product. They are continually researching new technologies which can provide unique advantages over competitive offerings.

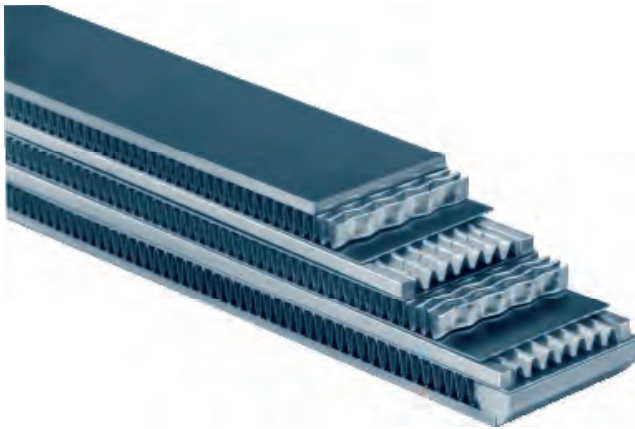


manufacture

The reliable and energy saving nano X¹ range of aftercoolers are manufactured in a state-of-the-art facility to the highest standards of build quality to ensure equipment reliability and high levels of performance.



X¹ X-AOC combination aftercooler / oil cooler



- advanced technology designs
- up to 60% smaller than conventional fin and tube designs
- rugged bar & plate designs
- reduced air side fouling
- competitive prices
- shipments available from stock

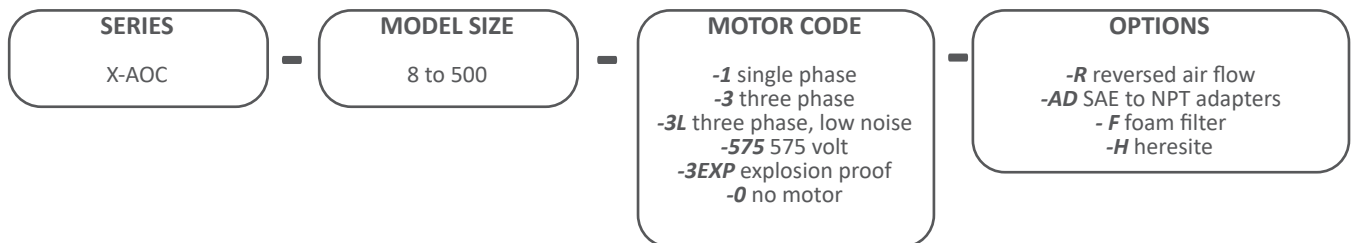
specifications

aftercooler specifications

maximum working pressure (psi)	250
maximum working temperature (°F)	250
cooler material	aluminum
shroud material	powder painted steel
fan guard material	zinc plated steel
fan blade material	polypropylene blades / aluminum hub
mounting brackets	powder painted steel

ordering information

aftercoolers



performance

The X-AOC series is a complete aftercooler and oil cooler package designed to work on most models of rotary air compressors. To select the appropriate model, simply determine compressor horsepower, and select the model from the chart.

rotary compressor	air compressor	recommended X-AOC model ⁽¹⁾
	horsepower	
	5 - 7.5 hp	X-AOC8
	10 - 15 hp	X-AOC15
	20 - 30 hp	X-AOC30
	40 hp	X-AOC40
	50 -75 hp	X-AOC75
	100 - 125 hp	X-AOC125
	150 -175 hp	X-AOC175
	200 -250 hp	X-AOC250
	300 -350 hp	X-AOC350

(1) for low noise and 2 stage compressors please consult factory for sizing assistance

sizing notes

recommendations are based on the following:

heat removal

oil cooler = compressor horsepower x 1.15 (motor service factor) x .83 (this assumes 83% of input horsepower is rejected to heat)

aftercooler = compressor horsepower x 1.15 (motor service factor) x .17 (this assumes 17% of input horsepower is rejected to heat)

temperatures

ambient air temperature + 100°F = compressed oil outlet temperature

ambient air temperature + 15°F = compressed air outlet temperature

flows

horsepower x .25 + 2-5 GPM (bearing oil cooling) = oil flow

compressor horsepower x 4.5 + scfm air flow

electrical motor data

model	HP RPM	motor frame	single phase			three phase		
			voltage	Hz	full load amps 230 V	voltage	Hz	full load amps 230V
X-AOC8	1/3 3250	IEC 63	115/230	60	2.6	208-230/460 200/220 380/440	60 50 50	1.2
X-AOC15	1/2 3250	IEC 71	115/230	60	3.4	208-230/460 200/220 380/440	60 50 50	1.2
X-AOC30	1/2 1725	NEMA 56C	115-208/230	60	4.4	208-230/460 190/200 208/220 380/400 416/440	60 50 50	2.0
X-AOC40	1 1725	NEMA 56C	115-208/230	60	6.4	208-230/460 190/200 208/220 380/400 416/440	60 50 50	3.4
X-AOC75	2 1725	NEMA 56C	115/230	60	10	208-230/460 190/200 208 380/400 416	60 50 50	6.5
X-AOC125	5 1725	NEMA 184TC	230	60	23	208-230/460 190/200 208 380/400 416	60 50 50	13.4
X-AOC175	7 1/2 1725	NEMA 213TC	CF	CF	CF	208-230/460 190/200 208 380/400 416	60 50 50	19.2
X-AOC250	7 1/2 1725	NEMA 213TC	CF	CF	CF	208-230/460 190/200 208 380/400 416	60 50 50	19.2
X-AOC350	10 1725	NEMA 215TC	CF	CF	CF	208-230/460 190/200 208 380/400 416	60 50 50	26.0

- (1) electric motors are totally enclosed and are not thermally protected
 (2) actual rating may vary with motor brand. Check motor nameplate for actual rating
 (3) motor RPM is reduced by 1/6 for 50 Hz service

dimensions

aftercoolers

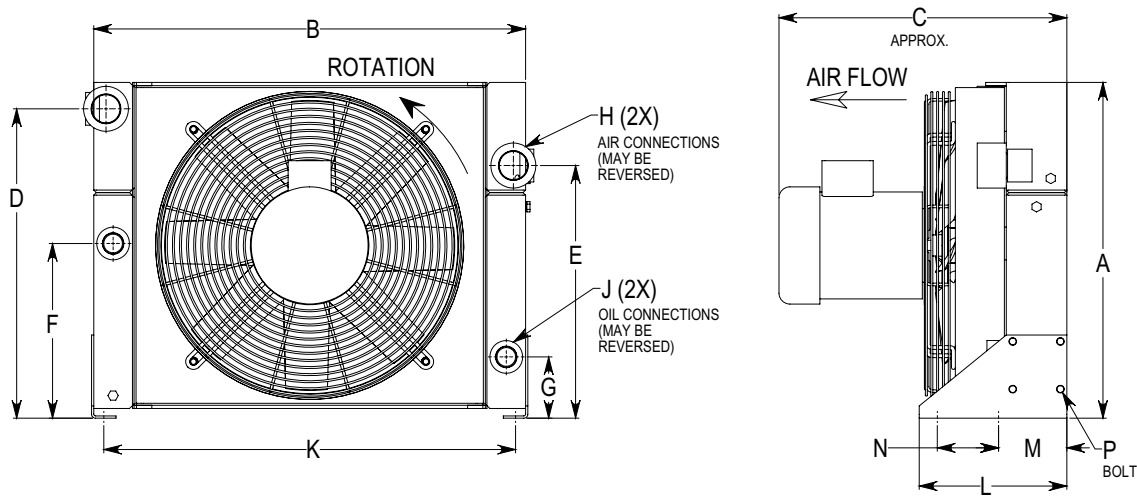
model number	A	B	C	D	E	F	G	H ⁽¹⁾	J ⁽¹⁾	K	L	M	N	approx. weight (lbs)	
														net	shipping
X-AOC8	12.52	15.75	14.72	11.06	11.06	6.85	3.35	1"	½"	14.53	7.36	3.07	M8X10	20	40
X-AOC15	16.25	19.88	16.69	14.80	13.62	10.47	3.50	1"	1"	18.58	7.36	3.07	M8X10	50	60
X-AOC30	20.63	26.36	17.75	18.86	15.55	10.67	3.86	1½"	1"	25.20	9.02	3.74	M10X15	100	145
X-AOC40	22.52	30.31	18.74	20.67	17.09	13.70	5.79	1½"	1¼"	25.09	9.02	3.74	M10X15	130	170
X-AOC75	26.19	37.00	22.60	25.79	21.69	13.50	8.35	2"	1¼"	37.48	15.47	7.87	M12X20	200	250
X-AOC125	37.32	40.94	24.76	31.10	31.10	10.12	4.29	2"	1½"	41.42	15.47	7.87	M12X20	300	350
X-AOC175	38.98	42.91	29.84	30.87	30.87	9.29	9.29	2½" (2)	2"	43.39	15.47	7.87	M12X20	400	460
X-AOC250	45.43	48.82	30.28	37.87	34.88	12.48	9.37	3" (2)	2½"	49.29	15.47	7.87	M12X20	530	600
X-AOC350	57.87	52.76	32.48	51.97	43.86	17.72	17.72	3" (2)	2½"	20.55	20.00	10.00	¾-10 1½	755	840

(1) NPT

(2) SAE 4-bolt flanges may converted to NPT by adding "-AD" to the end of the model code

(4) dimensions shown in inches

(5) we reserve the right to make reasonable changes without notice



nano-purification solutions llc
charlotte, north carolina
united states

nano-purification solutions ltd
gateshead, tyne and wear
united kingdom

nano-purification solutions
st. catharines, ontario
canada

tel: 704.897.2182 • fax: 704.897.2183 • support@n-psi.com • www.n-psi.com

nano
PURIFICATION SOLUTIONS

copyright PURIFICATION SOLUTIONS LLC
publication reference n-psi-X-AOC-02-us