

portable dew point monitor



a self contained portable dew point monitor with integrated filtration and flow control

The nano PDM portable dew point monitor is a reliable and cost effective self contained system for measuring dew point or moisture content in compressed air and gases. Compact, lightweight and easy to use, this system provides accurate, stable dew point or moisture measurements where and when you need it.

With a range of -148 to +68°F (or 3000 ppmv), the ceramic hygrometer probe responds rapidly to changes in moisture content, displaying it on the LED display and transmitting it remotely via a 4 to 20 mA signal. Completely self contained within a rugged polycarbonate NEMA 4X enclosure, the monitor is fully portable - or can be easily wall mounted for permanent installations.

built for the needs of the compressed air & gas industry

The nano PDM includes quick connect inlet and outlet connections for easy installation, an integral 0.3 micron filter, a flow meter and two programmable alarm relays.

applications include:

troubleshooting

air audits

performance validation

system calibration

nano-purification solutions

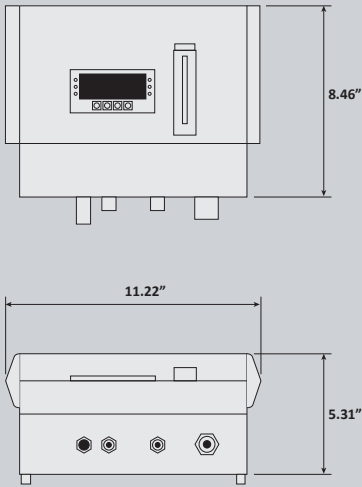
11330 vanstory drive
huntersville, nc 28078
usa

tel: 704.897.2182

fax: 704.897.2183

email: support@n-psi.com

technical specification



specifications	
standard measurement range	-148 to +68°F (-100 to +20°C) or 3000 ppmv ⁽¹⁾
accuracy	±3.6°F (±2°C) of dew point
operating temperature range	+23 to +122°F (-5 to +50°C)
storage temperature	-40 to +167°F (-40 to +75°C)
output	4-20 mA (maximum load resistance 500 Ω)
alarm	2 volt free contacts (3 A @ 240 V)
user interface	front panel configuration of alarm points
display	4 digit ¾" (20 mm) red LED
power supply	85 to 265 VAC, 50 or 60 Hz
ingress protection	NEMA 4X (IP65)
power cord	6.5 ft (2 m) power cord provided
maximum pressure	145 psig (1 MPa/10 barg) ⁽²⁾
sample flow rate	2.1 to 10.5 scfh (1-5 L/min)
filtration	99.5% removal efficiency at 0.3 micron
connections	6 mm OD quick connect tube fittings
sensor guard	sintered HDPE
protective case	polycarbonate
internal tubing	PTFE
warranty	1 year

(1) choice of dew point or ppmv must be specified at time of order. Non standard dew point ranges available on request

(2) higher pressure options available on request